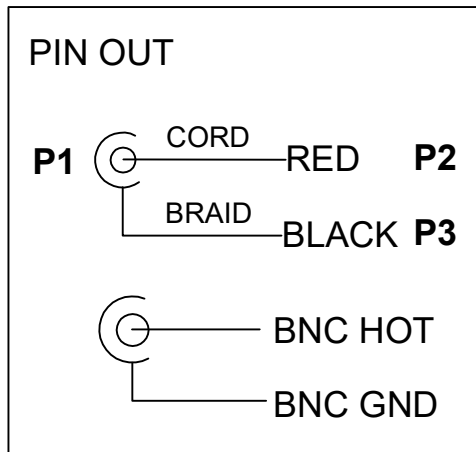


Part Number	Length(L)	Label contents (D)
BNCPW-58AU0050E	500 ⁺⁵⁰ ₋₀	BNCPW-58AU0050E
BNCPW-58AU0100E	1000 ⁺⁷⁵ ₋₀	BNCPW-58AU0100E
BNCPW-58AU0150E	1500 ⁺⁷⁵ ₋₀	BNCPW-58AU0150E
BNCPW-58AU0200E	2000 ⁺⁷⁵ ₋₀	BNCPW-58AU0200E



J	Copper foil	4MM*50MM -LF-	
I	Inner mold	LDPE -HF-	Transparent
H	Tube	UL/CSA φ1.5 -HF-	Black
G	Outer mold	PVC 45P -LF-	Black
F	Plug	Alligator clipscrew red PVC hood -LF-	Red
E	Plug	Alligator clipscrew black PVC hood -LF-	Black
D	Plug	BNC Male, Soldering type, 50 ohm -LF-	
C	Cable	UL1015 #20 OD:2.5 -LF-	Red
B	Cable	UL1015 #20 OD:2.5 -LF-	Black
A	Cable	RG58A/U #20*1C(19/0.18)+PE INSULATION+BRAID(16*6/0.12) OD:5.0 -LF-	Black
NO	Material	Part NO./Spec.	Color

Unit : mm

Approved

Checked

Designer

Description

BNC / M TO CLAMP

Part NO: BNCPW-58AUXXXE